

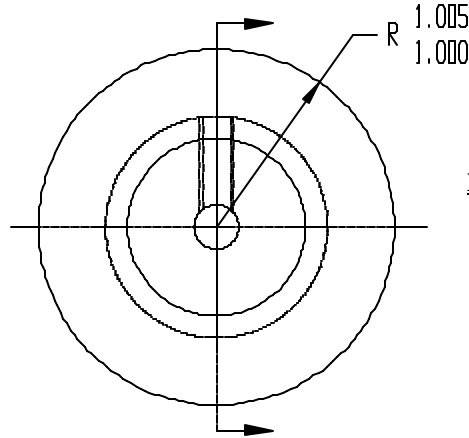
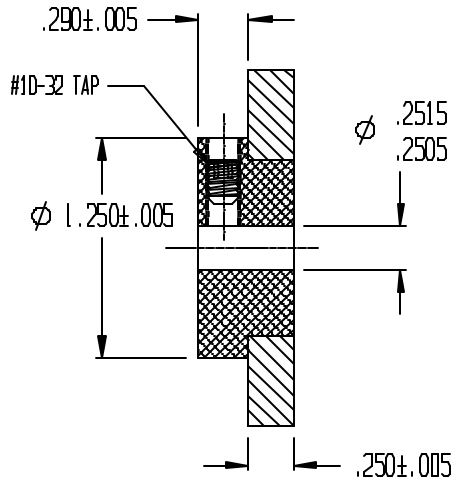


PHOENIX AMERICA INC.

4717 CLUBVIEW DRIVE
FORT WAYNE, IN 46804

P32B

Radial, Multi-Pole Magnet Target Wheels



ALTERNATING NORTH AND SOUTH MAGNETIC POLES SYMMETRICALLY LOCATED ON THE OUTER DIAMETER

FEATURES:

- Wide range of pole counts
- Three grades of magnetic materials
- Aluminum hub w/set screw
- High resistance to demagnetization
- Operation from -40°C to 125°C
- Tough environmental endurance
- Very resistant to chipping

Magnet Target Description:

Bonded multi-pole magnet rotors are used in a wide variety of speed and commutation applications such as to rotary encoders, speedometers and machine controls. Three standard grades of magnetic materials are offered to fulfill a broad spectrum of magnetic field requirements along with a high resistance to demagnetization. Combined with a Nylon polymer binder, they offer excellent dimensional control and tough environmental endurance. Multi-pole rotors can be modified to have other pole patterns, custom compounded binders, or metal inserts for specialized applications.

ORDERING INFORMATION:

MATERIAL DESIGNATION			
	Magnalox 300	Neobond 12M	Neobond 30M
2	P32B25R2	P32B50R2	P32B75R2
4	P32B25R4	P32B50R4	P32B75R4
8	P32B25R8	P32B50R8	P32B75R8
10	P32B25R10	P32B50R10	P32B75R10
30	P32B25R30	P32B50R30	P32B75R30
60	P32B25R60	P32B50R60	P32B75R60
120	P32B25R120	P32B50R120	P32B75R120