



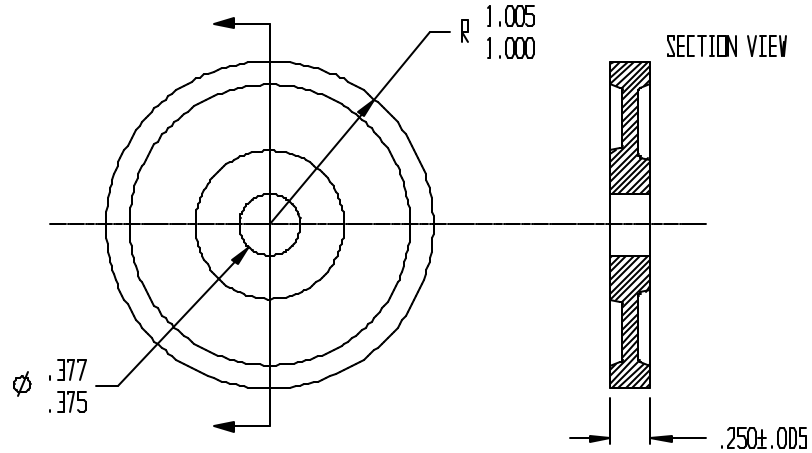
**PHOENIX AMERICA INC.**

4717 CLUBVIEW DRIVE  
FORT WAYNE, IN 46804

# P32A

## Radial, Multi-Pole Magnet Target Wheels

ALTERNATING  
NORTH AND SOUTH  
MAGNETIC POLES  
SYMMETRICALLY  
LOCATED ON THE  
OUTER DIAMETER



**FEATURES:**

- Wide range of pole counts
- Three grades of magnetic materials
- High resistance to demagnetization
- Operation from -40°C to 125°C
- Tough environmental endurance
- Very resistant to chipping

**Magnet Target Description:**

Bonded multi-pole magnet rotors are used in a wide variety of speed and commutation applications such as to rotary encoders, speedometers and machine controls. Three standard grades of magnetic materials are offered to fulfill a broad spectrum of magnetic field requirements along with a high resistance to demagnetization. Combined with a Nylon polymer binder, they offer excellent dimensional control and tough environmental endurance. Multi-pole rotors can be modified to have other pole patterns, custom compounded binders, or metal inserts for specialized applications.

**ORDERING INFORMATION:**

<b>MATERIAL DESIGNATION</b>			
	<b>Magnalox 300</b>	<b>Neobond 12M</b>	<b>Neobond 30M</b>
<b>NUMBER OF POLES</b>	<b>2</b>	P32A25R2	P32A50R2
	<b>4</b>	P32A25R4	P32A50R4
	<b>8</b>	P32A25R8	P32A50R8
	<b>10</b>	P32A25R10	P32A50R10
	<b>30</b>	P32A25R30	P32A50R30
	<b>60</b>	P32A25R60	P32A50R60
	<b>120</b>	P32A25R120	P32A50R120