

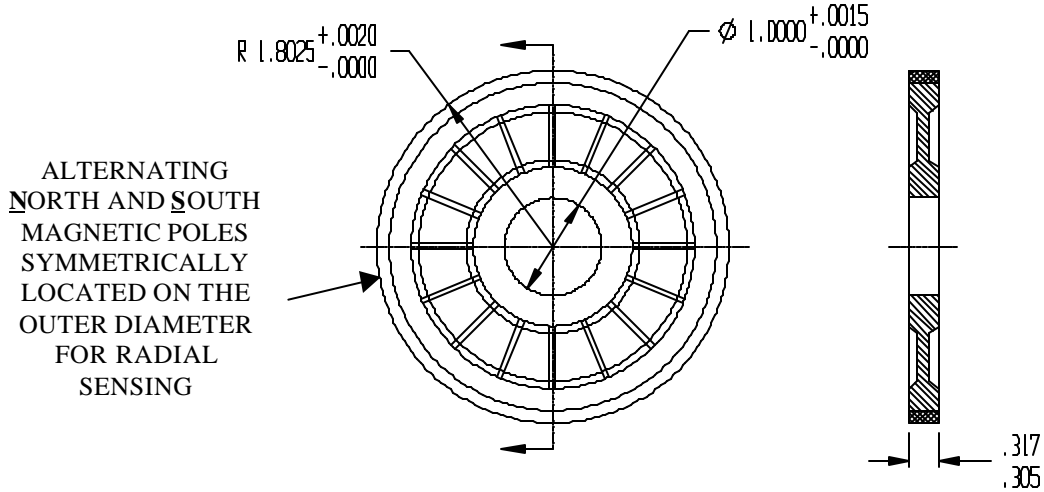


**PHOENIX AMERICA INC.**

4717 CLUBVIEW DRIVE  
FORT WAYNE, IN 46804

# P58A

## Radial, Multi-Pole Magnet Target Wheels



**FEATURES:**

- Wide range of pole counts
- Three grades of magnetic materials
- Engineering polymer hub
- High resistance to demagnetization
- Operation from -40°C to 125°C
- Tough environmental endurance
- Very resistant to chipping

**Magnet Target Description:**

Bonded multi-pole magnet rotors are used in a wide variety of speed and commutation applications such as to rotary encoders, speedometers and machine controls. Three standard grades of magnetic materials are offered to fulfill a broad spectrum of magnetic field requirements along with a high resistance to demagnetization. Combined with a Nylon polymer binder, they offer excellent dimensional control and tough environmental endurance. Multi-pole rotors can be modified to have other pole patterns, custom compounded binders, or metal inserts for specialized applications.

**ORDERING INFORMATION:**

<b>MATERIAL DESIGNATION</b>				
		<b>Magnalox 300</b>	<b>Neobond 12M</b>	<b>Neobond 30M</b>
<b>NUMBER</b>	<b>36</b>	P58A25R36	P58A50R36	P58A75R36
<b>OF POLES</b>	<b>120</b>	P58A25R120	P58A50R120	P58A75R120