

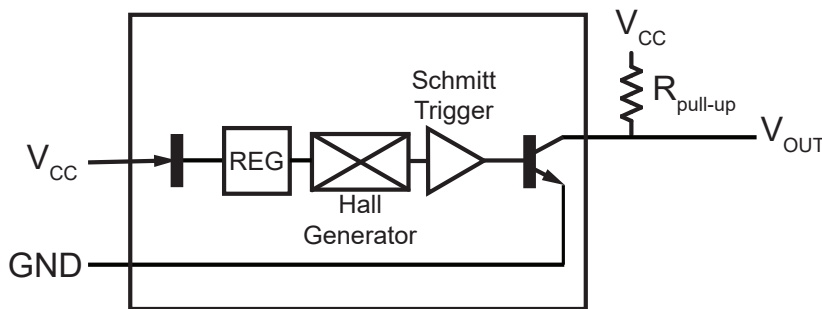
**Features and Benefits**

- Magnet actuated for a variety of proximity sensing applications
- Non-contact, solid state device.
- Reads speeds 0 to 100 kHz.
- Digital output signal
- 4 to 24 VDC operation range
- Current sinking output
- 20ma continuous operation
- Reverse polarity protection
- Temperature compensated
- Operates from -40°C to 125°C
- Nickel-plated brass housing



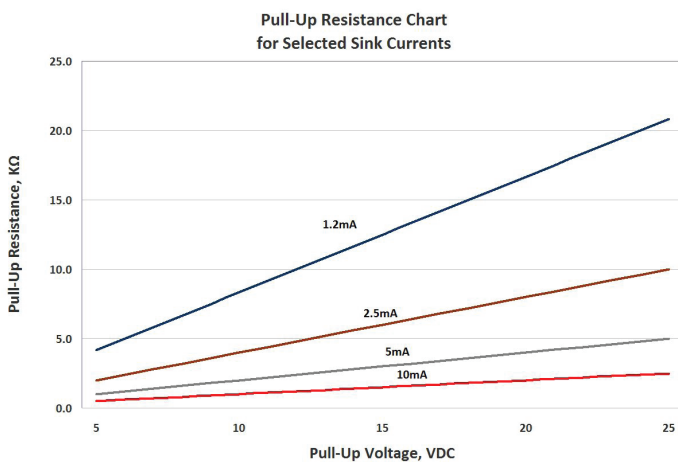
Sensor

**Electrical Circuit**



Output channels require customer supplied pull-up resistors unless internal pull-up option is selected. See Table 1.1 for recommended resistor values.

Note: A pull-up resistor is required on the open collector output to establish a quiescent voltage level. The pull-up resistor also provides faster rise times and improves noise immunity. Contact the factory for application assistance.



**Table 1.1**

Recommended Pull-Up Resistor Values			
Current, I <sub>sink</sub>	Supply Voltage		
	5	12	24
1.2 mA	4.3K	10.0K	20.0K
2.5 mA	2.0K	4.7K	10.0K
5 mA	1.0K	2.4K	4.7K
10 mA	510Ω	1.2K	2.4K

I<sub>sink</sub> is application dependent. It is recommended to use the lowest possible sink current when selecting a pull-up resistor.

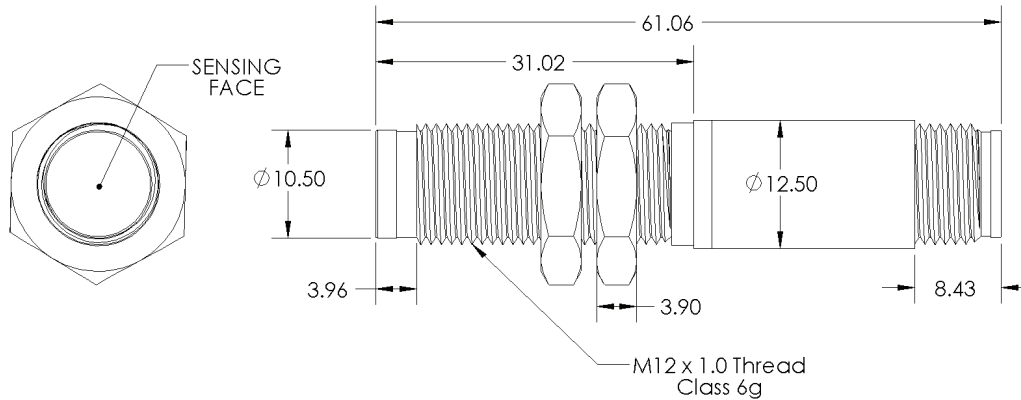
Theoretical Pull-Up Resistor Calculation:  $R_{pullup} = \frac{V_{supply}}{I_{sink}}$

Resistance values based on closest standard 5% resistor values

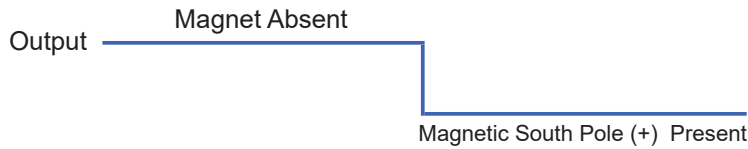
Absolute Maximum I<sub>sink</sub> = 20mA

4.7 K pull-up is available as a standard option. If an alternative pull-up value is preferred, contact sales@phoenixamerica.com.

**Physical Outline**



**Output Waveforms**



**Magnetic Characteristics (VCC = 4.5 to 24 VDC @ 25°C)**

Table 2.1

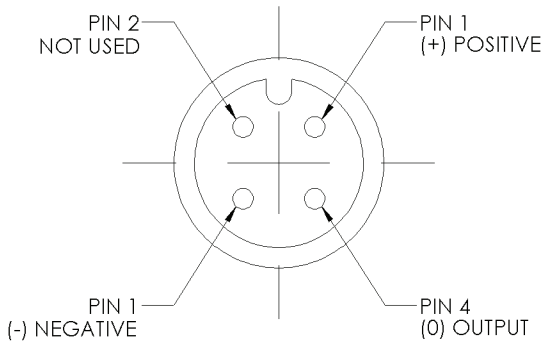
Characteristic	Symbol	Limits			
		Min.	Typ.	Max.	Units
Operating Point	B <sub>OP</sub>	140	150	160	Gauss
Release Point	B <sub>RP</sub>	40	50	110	Gauss
Hysteresis	B <sub>HYS</sub>	30	100	120	Gauss
Maximum Field Exposure	B <sub>MAX</sub>	-800		800	Gauss
Active Element Depth	D <sub>P</sub>			0.058	Inch

**Electrical Characteristics (T = -40 to 125°C)**

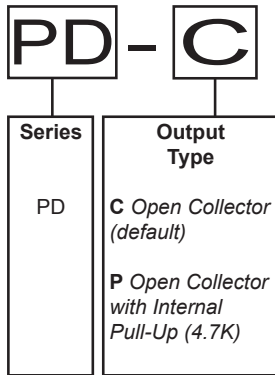
Table 2.2

Characteristic	Symbol	Test Condition	Limits			
			Min.	Typ.	Max.	Units
Supply Voltage	V <sub>CC</sub>	Operating	4.5		24	VDC
Supply Current	I <sub>S</sub>	V <sub>CC</sub> = 4.5V; Output Open		4.7	8.0	mA
Output Current	I <sub>OUT</sub>	V <sub>CC</sub> = 4.5V; Output Open			20	mA
Output Saturation Voltage	V <sub>OUT(SAT)</sub>	B > B <sub>OP</sub> ; I <sub>OUT</sub> = 20ma		150	400	mV
Output Leakage Current	I <sub>OFF</sub>	B < B <sub>RP</sub> ; V <sub>OUT</sub> = 24V		4.7	8.0	μA
Rise/Fall Time	t <sub>r</sub> / t <sub>f</sub>	R <sub>L</sub> = 1.2k; C <sub>L</sub> < 33pF			1	μs

**Pin Out**



**Part Number Description**



Example: PD-C