

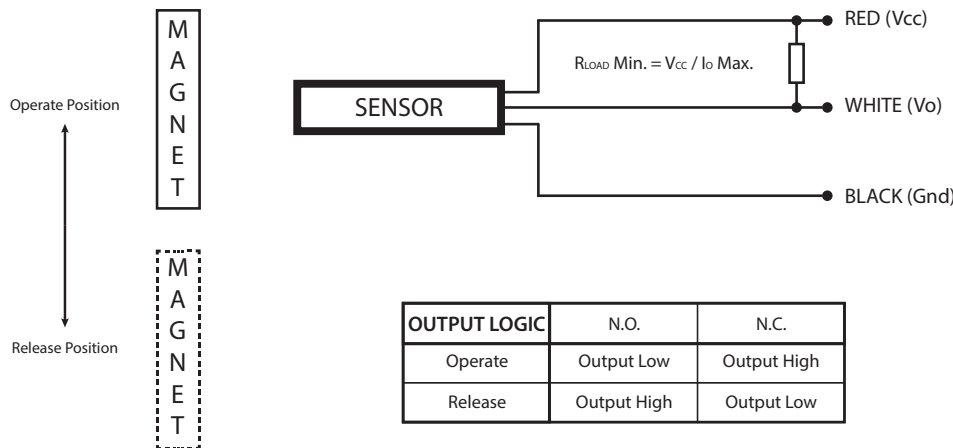
Features and Benefits

- Non-contact, solid state device
- Both N.O. and N.C. versions
- Small size
- High sensitivity
- Open collector output
- Operates north and south poles
- No rotational alignment needed
- Operates from -20°C to 85°C
- 6.5 to 24 VDC operation range
- Rugged aluminum housing



Sensor

Application Operation and Wiring



Note: A customer-supplied pull-up resistor is required on the open collector output to establish a quiescent voltage level. The pull-up resistor also provides faster rise times and improves noise immunity.

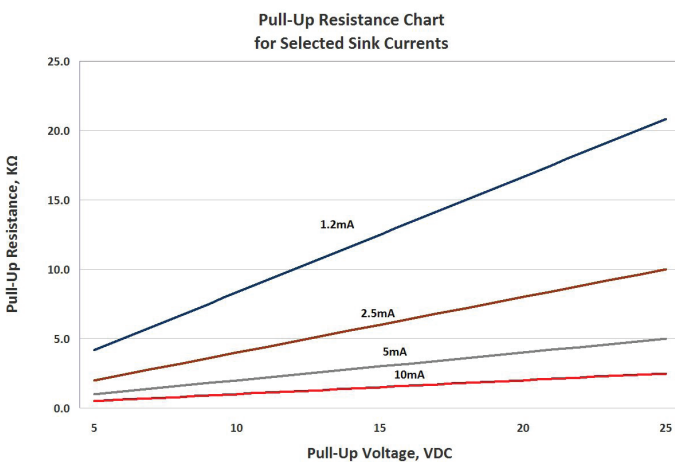


Table 1.1

Recommended Pull-Up Resistor Values			
Current, I _{sink}	Supply Voltage		
	5	12	24
1.2 mA	4.3K	10.0K	20.0K
2.5 mA	2.0K	4.7K	10.0K
5 mA	1.0K	2.4K	4.7K
10 mA	510Ω	1.2K	2.4K

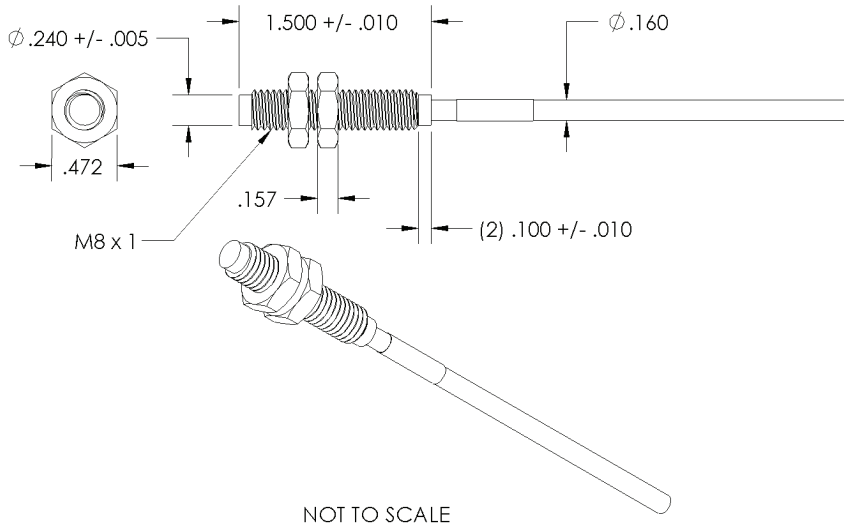
I_{sink} is application dependent. It is recommended to use the lowest possible sink current when selecting a pull-up resistor.

Theoretical Pull-Up Resistor Calculation: $R_{pullup} = \frac{V_{supply}}{I_{sink}}$

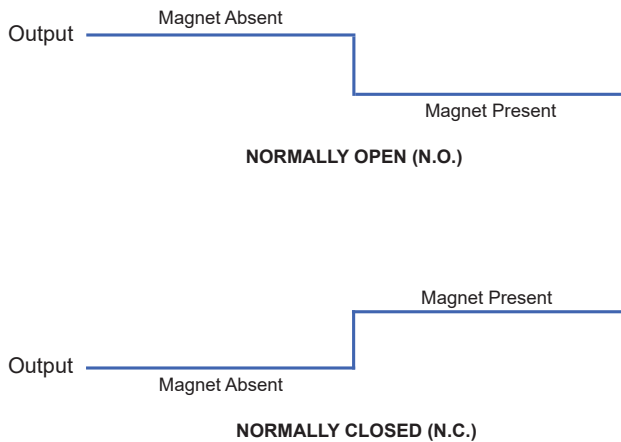
Resistance values based on closest standard 5% resistor values

Absolute Maximum I_{sink} = 20mA

Physical Outline



Output



Output Type	Band Color	Min./Max. Operate Point (Gauss)	Min./Max. Hysteresis Point (Gauss)	Operate and Hysteresis Part Number Options
N.O.	Yellow	15 / 25	5 / 14	A
N.O.	Yellow	21 / 34	5 / 20	B
N.O.	Yellow	30 / 50	5 / 25	C
N.O.	Yellow	60 / 100	5 / 25	D
N.C.	Green	15 / 25	5 / 14	A
N.C.	Green	21 / 34	5 / 20	B
N.C.	Green	30 / 50	5 / 25	C
N.C.	Green	60 / 100	5 / 25	D

In the part number, operate and hysteresis minimum and maximum points will be indicated by the letter shown in the far right column.

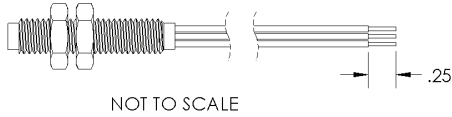
Specifications

Table 2.2

Characteristic	Symbol	Test Conditions	Min.	Max.	Unit ²
Supply Voltage	V_{CC}		6.5	24	VDC
Supply Current	I_{CC}	@24VDC	-	12	mA
Output Voltage	V_O		-	24	VDC
Output Current	I_O		-	20	mA
Saturation Voltage	V_{SAT}	@24mA	-	400	mV
Output Leakage Current	I_{OFF}	@24VDC	-	250	μ a

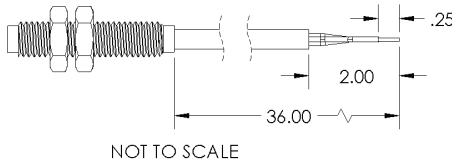
Wiring

FLYING LEADS



- 24 AWG
- PVC Insulation

CABLE



- 24 AWG
- PVC Insulation

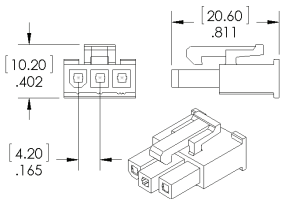
Table 3.1

Standard Wiring Color Code		
	Flying Leads	Cable
Vcc	Red	Red
Gnd	Black	Black
Output	White	White

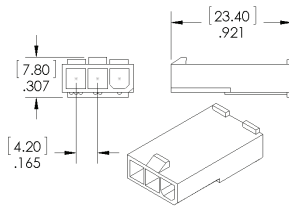
Custom lengths and insulation materials available. Contact sales@phoenixamerica.com.

Connector Options

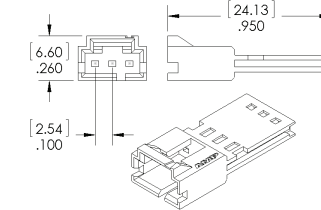
Molex Mini-Fit Jr. (Male)



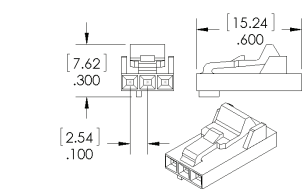
Molex Mini-Fit Jr. (Female)



TE AmpModu MTE (Male)



TE AmpModu MTE (Female)



Need a different connector? Contact sales@phoenixamerica.com.

Part Number Description

Series	Output Type	Operate and Hysteresis	Wiring	Length (Meters)	Connector
PG	O Normally Open (N.O.) C Normally Closed (N.C.)	A 15/25; 5/14 B 21/34; 5/20 C 30/50; 5/25 D 60/100; 5/25	F Flying Leads C Cable (Default)	A .5 (19.685") B 0.914 (36") (default) C 1 (39.370") D 2 (78.740")	X None (default) A1 TE AmpModu MTE (Male) A2 TE AmpModu MTE (Female) M1 Molex Mini-Fit Jr. (Male) M2 Molex Mini-Fit Jr. (Female)

Example: PG-O-A-C-B-X