

4

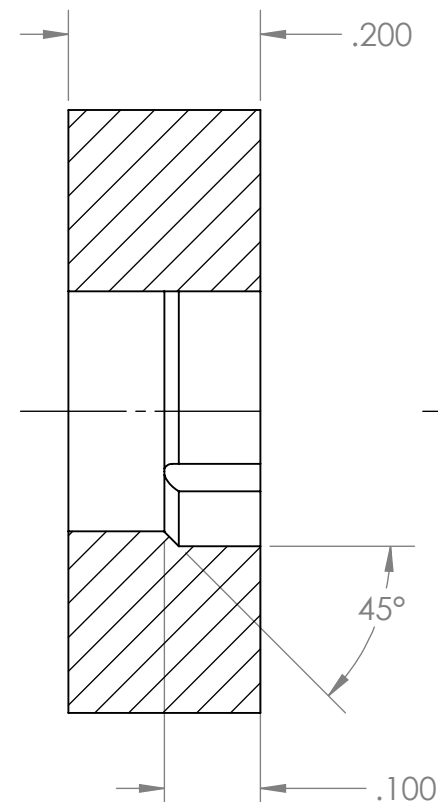
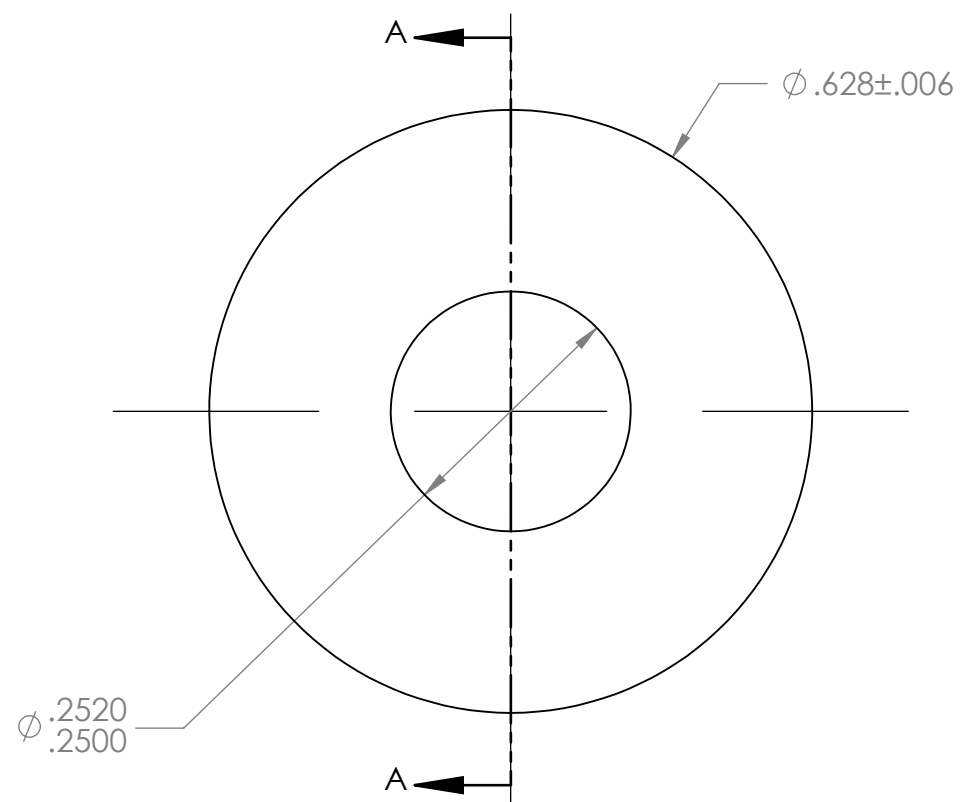
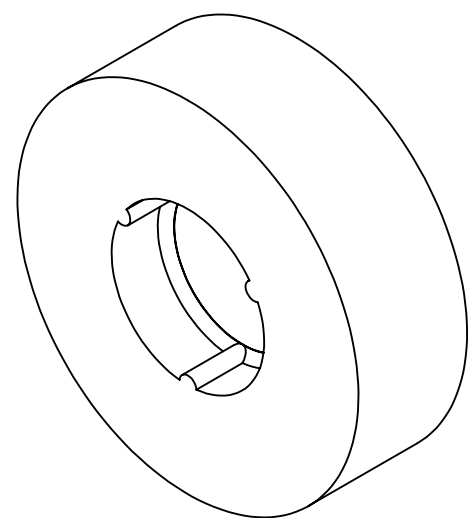
3

2

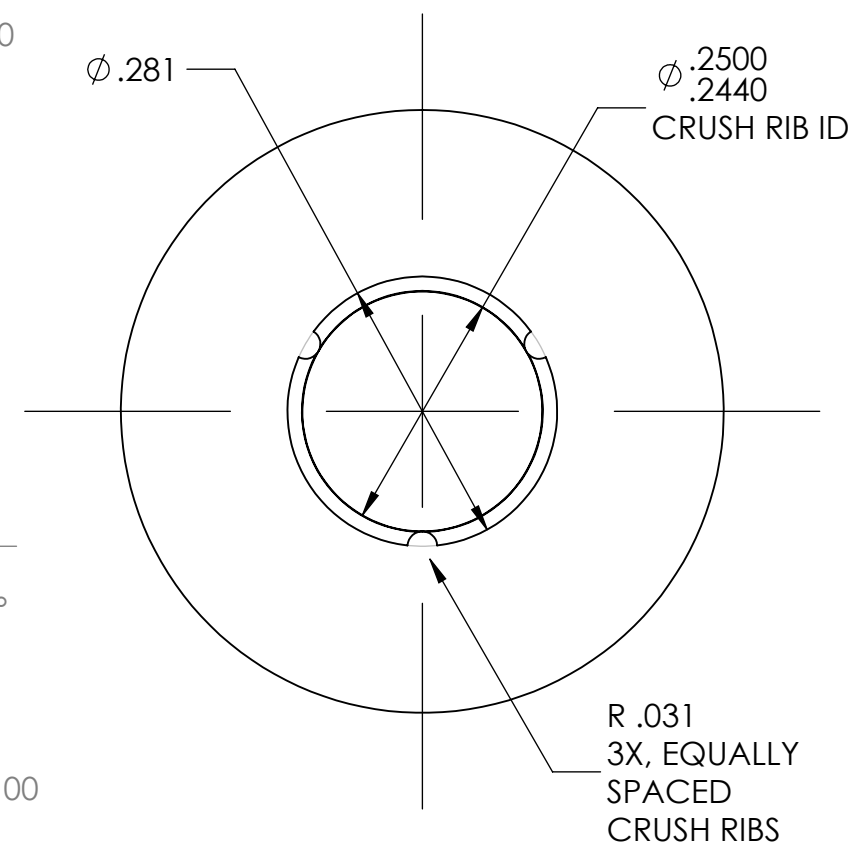
1

B

B



SECTION A-A



A

A

PROPRIETARY AND CONFIDENTIAL
THE INFORMATION CONTAINED IN THIS
DRAWING IS THE SOLE PROPERTY OF
<INSERT COMPANY NAME HERE>. ANY
REPRODUCTION IN PART OR AS A WHOLE
WITHOUT THE WRITTEN PERMISSION OF
<INSERT COMPANY NAME HERE> IS
PROHIBITED.

		UNLESS OTHERWISE SPECIFIED:	NAME	DATE	TITLE:
		DIMENSIONS ARE IN INCHES	DRAWN		
		TOLERANCES: FRACTIONAL ± ANGULAR: MACH ± BEND ± TWO PLACE DECIMAL ± THREE PLACE DECIMAL ±	CHECKED		
		INTERPRET GEOMETRIC TOLERANCING PER:	ENG APPR.		
NEXT ASSY	USED ON	MATERIAL	MFG APPR.		SIZE DWG. NO. REV 1687M224-1_sketch
APPLICATION		FINISH	COMMENTS:		
		DO NOT SCALE DRAWING			SCALE: 5:1 WEIGHT: SHEET 1 OF 1

4

3

2

1