

4

3

2

1

B

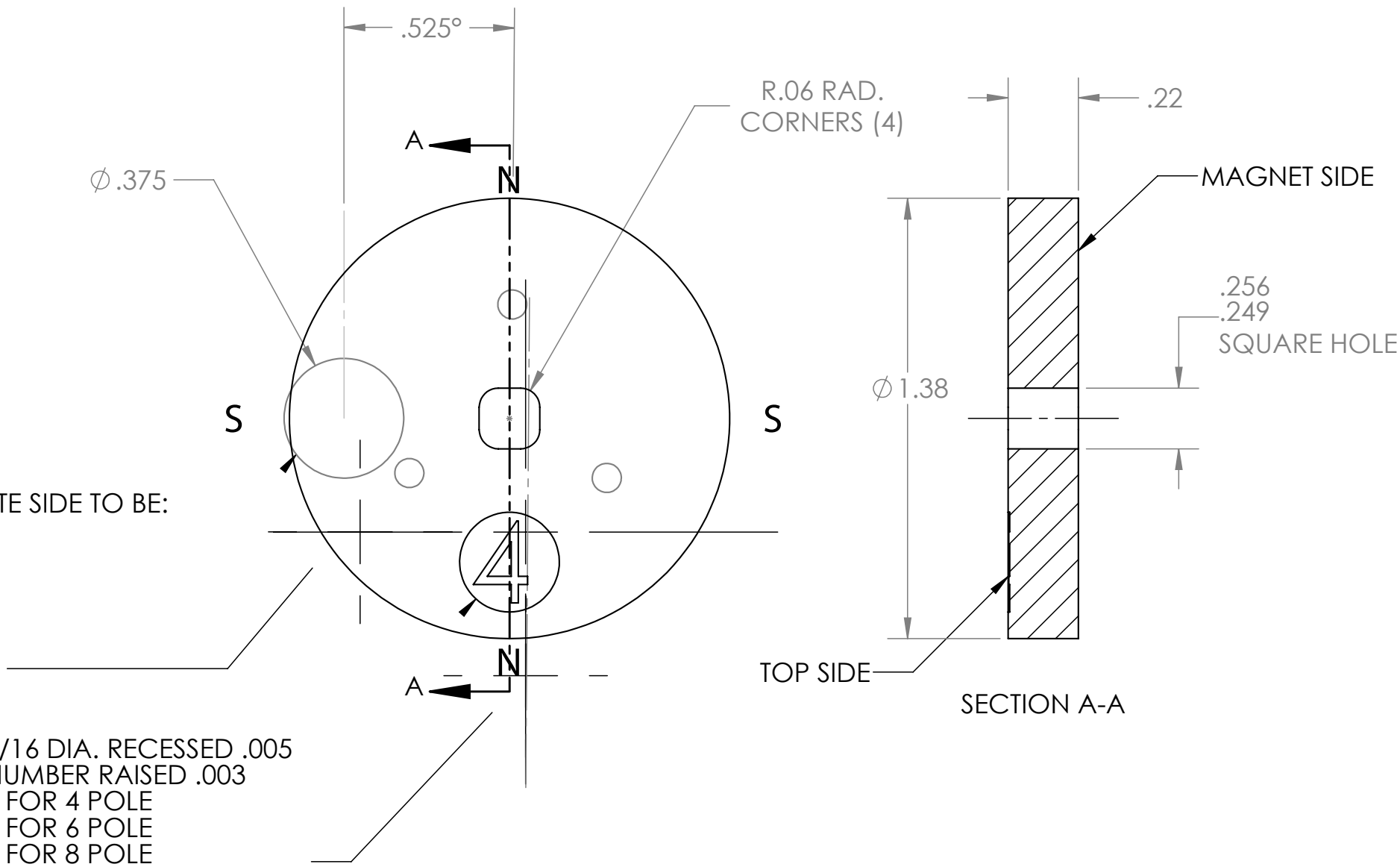
B

A

A

MEASURED HERE
 GAUSS READING ON OPPOSITE SIDE TO BE:
 300 FOR - 00 (4 POLE)
 210 FOR - 01 & 02 (6-8) POLE

5/16 DIA. RECESSED .005
 NUMBER RAISED .003
 4 FOR 4 POLE
 6 FOR 6 POLE
 8 FOR 8 POLE



PROPRIETARY AND CONFIDENTIAL
 THE INFORMATION CONTAINED IN THIS
 DRAWING IS THE SOLE PROPERTY OF
 <INSERT COMPANY NAME HERE>. ANY
 REPRODUCTION IN PART OR AS A WHOLE
 WITHOUT THE WRITTEN PERMISSION OF
 <INSERT COMPANY NAME HERE> IS
 PROHIBITED.

		UNLESS OTHERWISE SPECIFIED:	NAME	DATE	TITLE:
		DIMENSIONS ARE IN INCHES	DRAWN		
		TOLERANCES: FRACTIONAL ± ANGULAR: MACH ± BEND ± TWO PLACE DECIMAL ± THREE PLACE DECIMAL ±	CHECKED		
		INTERPRET GEOMETRIC TOLERANCING PER:	ENG APPR.		
NEXT ASSY	USED ON	MATERIAL	MFG APPR.		SIZE DWG. NO. REV
APPLICATION		DO NOT SCALE DRAWING	COMMENTS:		2003M004_sketch
					SCALE: 2:1 WEIGHT: SHEET 1 OF 1

4

3

2

1