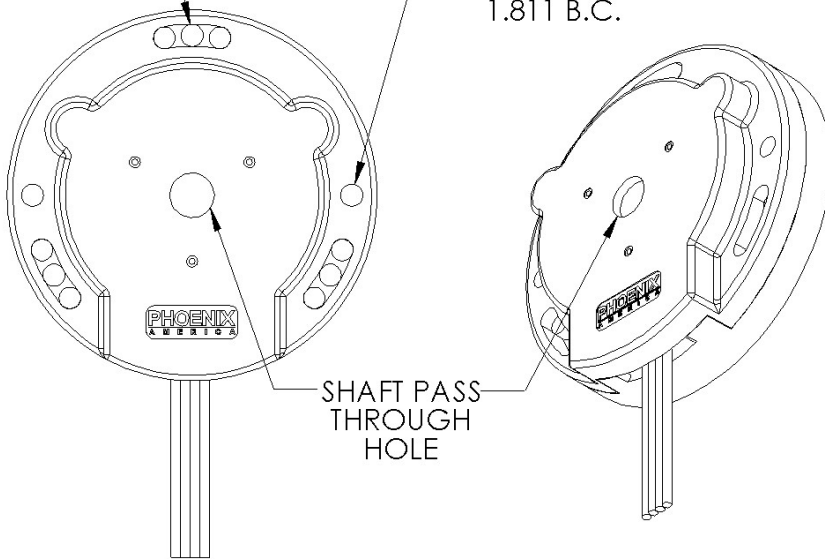
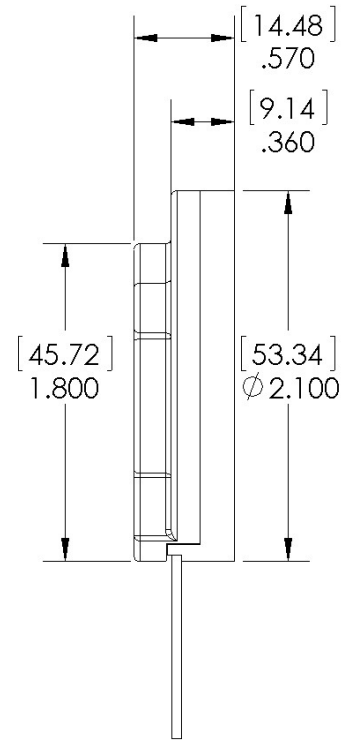


[3.18]
Ø.125
THREE PLACES
1.811 B.C.

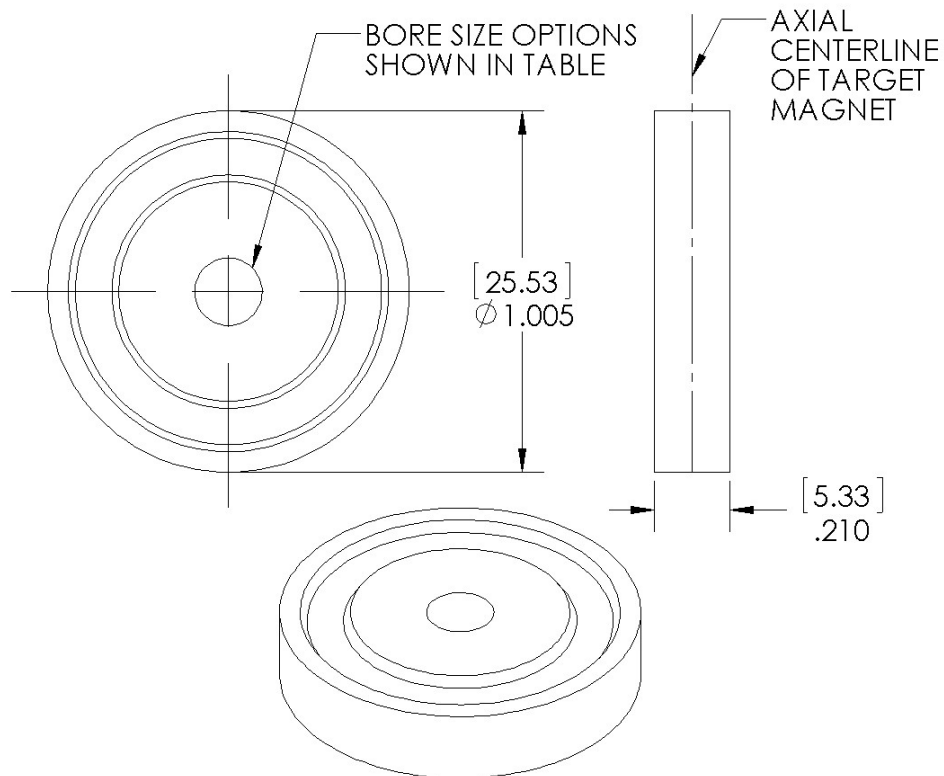
[3.18]
Ø.125
TWO PLACES
1.811 B.C.



SHAFT PASS
THROUGH
HOLE



NOT TO SCALE



NOT TO SCALE

